

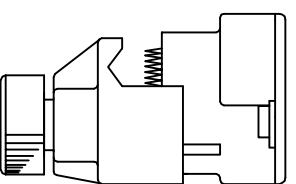
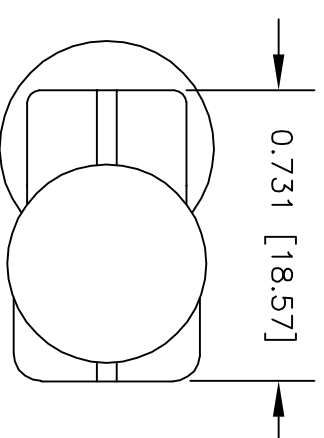
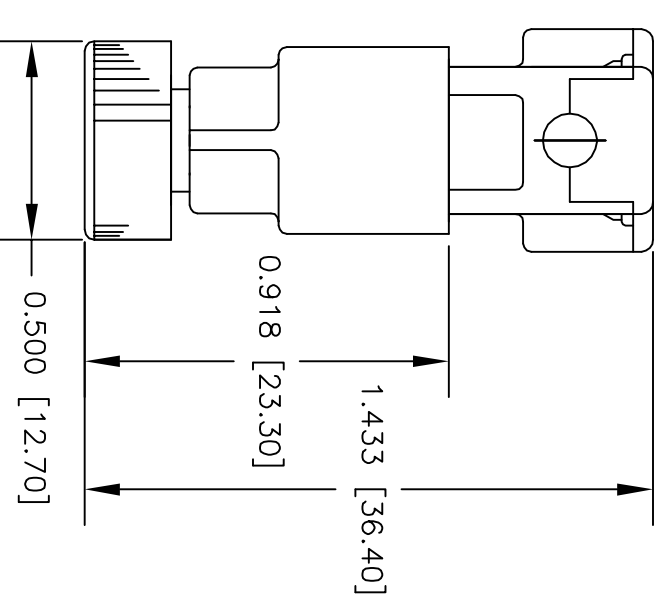
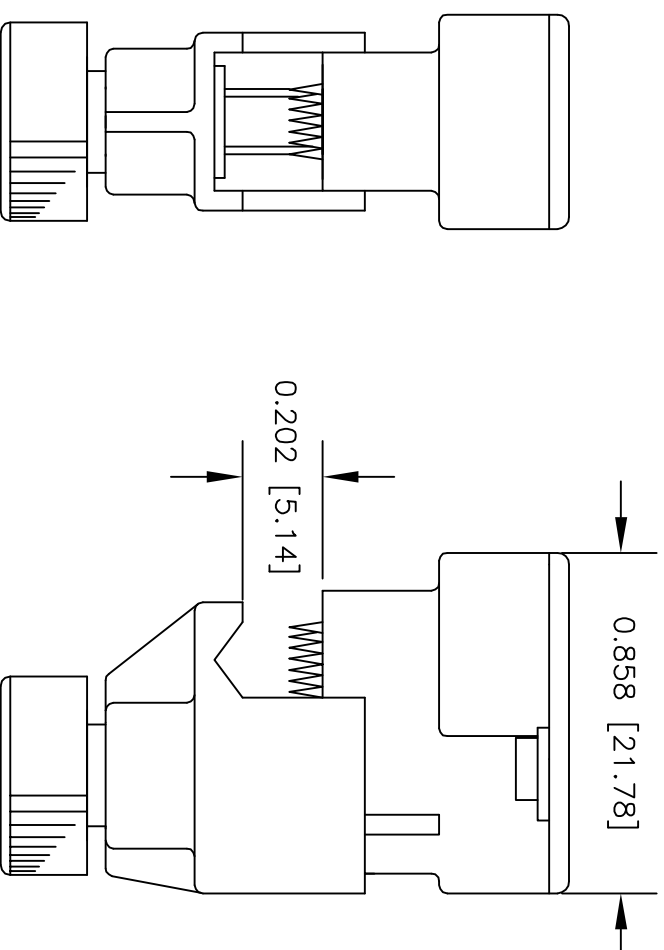
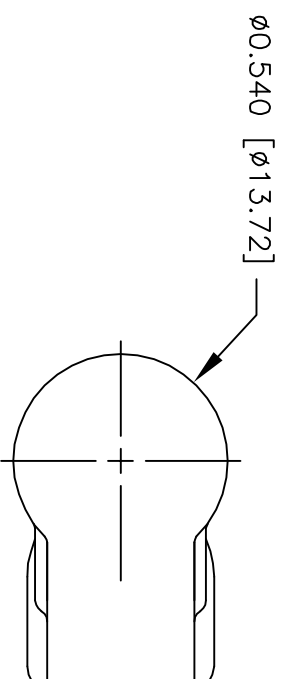
NOTES: UNLESS OTHERWISE SPECIFIED

LTR	DESCRIPTION	DATE	APPROVEI
-----	-------------	------	----------

- CONSTRUCTION:
LEVER: MOLDED NYLON. AVAILABLE IN BLK, RED & YEL.
NEEDLE CLUSTER: BRASS CUP HEAD. STEEL NEEDLES.
BRIGHT TIN PLATED.
FRAME: STEEL. COPPER, NICKEL & TIN PLATED.
HARDWARE: STAINLESS STEEL SCREW & NUT. ALUMINUM INSERT.
COPPER RING TERMINAL.

- PERFORMANCE:
MAXIMUM CURRENT: 500 mA
MAXIMUM VOLTAGE: 0 KV
MAXIMUM TEMPERATURE: 200°F (93°C)

- FEATURES:
FITS COMPONENTS UP TO $\phi 0.150$ [$\phi 3.88$].



ACTUAL SIZE

UNLESS OTHERWISE SPECIFIED DIMENSIONS ARE IN INCHES. TOLERANCES ARE: FRACTIONS DECIMALS ANGLES		CONTRACT NO.	
# .XX #	#	APPROVALS	DATE
#.XXX #	#	R.L.	10/12
MATERIAL SEE NOTE.		APPROVED BY	
FINISH SEE NOTE.			
APPLICATION	USED ON	DO NOT SCALE DRAWING	
NEXT ASSY			
DESCRIPTION		E-Z-HOOK DIVISION OF TEKTEST INC. ARCADIA, CA 91006 U.S.A.	
INSULATION PIERCING WIRE CLAMP		REVISIONS	
SIZE	CODE IDENT NO.	DRAWING NO.	REV
B	08505	XB-2A	
SCALE	SHEET		1 OF 1
2:1			