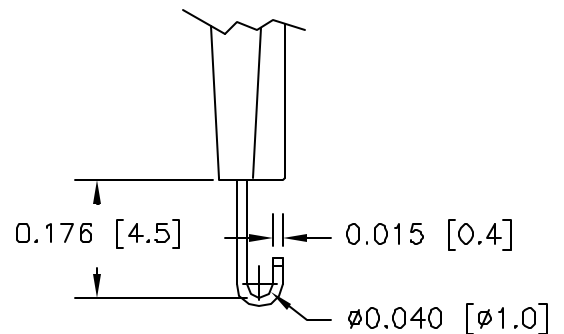


WIRE ATTACHMENT



HOOK DETAIL

NOTES: UNLESS OTHERWISE SPECIFIED.

1. CONSTRUCTION:

Housing & Plunger: Molded nylon type 6,6. EDM
Contact Blade: Beryllium copper per QQ-C-533. Gold plated per MIL-G-45204 B type 1 .00001" thick min.
Spring: Stainless steel type 302.

2. PERFORMANCE:

Maximum Temperature: 200°F (93°C).
Maximum Current: 5.1 amps with 77°F temperature rise.
Breakdown Voltage: 3.0 KV.

3. FEATURES:

Hook connects to .040" dia. wire or smaller.
Field serviceable.
Available in TEN colors.

E-Z-HOOK		DIVISION OF TEKTEST INC. ARCADIA, CA 91006 U.S.A.	
SCALE: DO NOT SCALE DRAWING	DRAWN BY: SBW		
DATE: 11/07	APPROVED BY: SBW		
IDNT. NO: 08505	DIMENSIONS: INCHES[MM]		
DESCRIPTION: E-Z-MICRO-HOOK			
MODEL NO: XMR			